

alteme<sup>+</sup>



TriTec ETA SURFACE-MOUNTED

# TriTec ETA SURFACE-MOUNTED

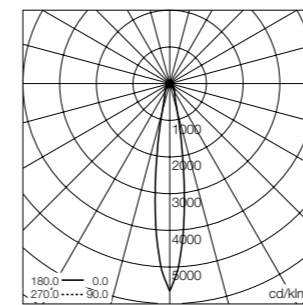
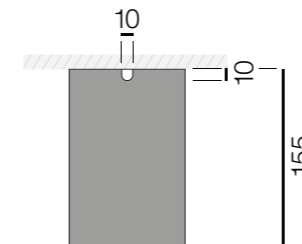
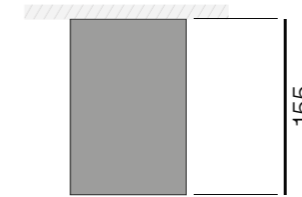
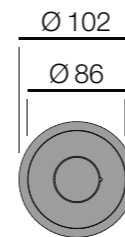
Surface-mounted ceiling downlight with perfect darklight effect, high level of colour consistency (2 SDCM initial) and high colour rendering (up to CRI $\geq$ 95).



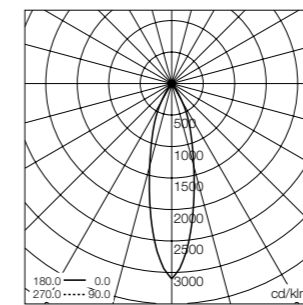
# TRITEC ETA

## SURFACE-MOUNTED

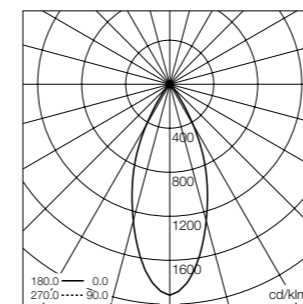
Aluminium luminaire body, white powder-coated in RAL 9016, fine-structured and satin-finished. LED (COB) light engine with touch protection. High level of colour consistency (2 SDCM initial) and high colour rendering (up to CRI≥95). Cooling via a die-cast aluminium heat sink, powder-coated with black textured paint. Case with primary reflector and homogenising lens. Plastic darklight reflector, edgeless, steamed to a high gloss with an aluminium finish, transparent and scratch-resistant protective coating, plus 30° shielding angle. Power supply options in two separate model variants: Power supply through the mounting plate, or power supply through a milled recess in the side of the luminaire body.



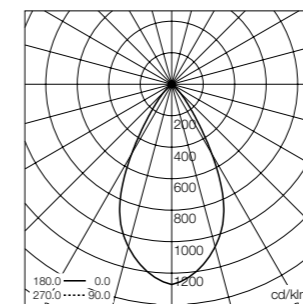
FWHM 16°



FWHM 26°



FWHM 41°



FWHM 55°

## DESIGNS

| Art. Nr.   | CCT   | CRI | FWHM | Φ Ng  |
|------------|-------|-----|------|-------|
| P4X 2816.C | 2700K | ≥80 | 16°  | 346lm |
| P4X 2826.C | 2700K | ≥80 | 26°  | 878lm |
| P4X 2846.C | 2700K | ≥80 | 41°  | 816lm |
| P4X 2876.C | 2700K | ≥80 | 55°  | 853lm |
| P4X 2016.C | 2700K | ≥95 | 16°  | 273lm |
| P4X 2026.C | 2700K | ≥95 | 26°  | 693lm |
| P4X 2046.C | 2700K | ≥95 | 41°  | 644lm |
| P4X 2076.C | 2700K | ≥95 | 55°  | 673lm |
| P4X 3816.C | 3000K | ≥80 | 16°  | 366lm |
| P4X 3826.C | 3000K | ≥80 | 26°  | 928lm |
| P4X 3846.C | 3000K | ≥80 | 41°  | 892lm |
| P4X 3876.C | 3000K | ≥80 | 55°  | 901lm |
| P4X 3016.C | 3000K | ≥95 | 16°  | 288lm |
| P4X 3026.C | 3000K | ≥95 | 26°  | 730lm |
| P4X 3046.C | 3000K | ≥95 | 41°  | 678lm |
| P4X 3076.C | 3000K | ≥95 | 55°  | 709lm |
| P4X 4816.C | 4000K | ≥80 | 16°  | 382lm |
| P4X 4826.C | 4000K | ≥80 | 26°  | 969lm |
| P4X 4846.C | 4000K | ≥80 | 41°  | 901lm |
| P4X 4876.C | 4000K | ≥80 | 55°  | 941lm |
| P4X 4016.C | 4000K | ≥95 | 16°  | 306lm |
| P4X 4026.C | 4000K | ≥95 | 26°  | 777lm |
| P4X 4046.C | 4000K | ≥95 | 41°  | 722lm |
| P4X 4076.C | 4000K | ≥95 | 55°  | 754lm |

## DESIGN OPTIONS

### Installation type X

|   |            |                                  |
|---|------------|----------------------------------|
| Power supply through the mounting plate             | P*1 ****.C | For flush-mounted supply lines   |
| Power supply at the side through the luminaire body | P*2 ****.C | For surface-mounted supply lines |

### Activation

DALI P= 10.0 W

# GENERAL INFORMATION

## GENERAL INFORMATION





We reserve the right to make technical and design changes to our products owing to new technical developments. The images and descriptions reflect the products as they were when this luminaire brochure went to print. Errors are reserved. Aktuelle Unterlagen stellen wir Ihnen auf Anfrage gerne zur Verfügung.

The colours and surfaces of our products are supplied in accordance with the product descriptions. Unless otherwise mentioned, these colours are as follows:  
 White (similar to RAL 9016)  
 Black (similar to RAL 9005)  
 Silver (similar to RAL 9006)

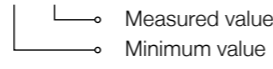
All dimensions are given in millimetres.

Where available, the photometric data can be found in the corresponding light distribution curves.

## SYMBOLS AND ACRONYMS

-  Products comply with European Union Directives.
- IP20** Protection against the ingress of solid foreign bodies measuring more than 12 mm in diameter
-  Only for use indoors
-  Luminaires in protective class I – with protective earth terminal
- ON/OFF** Can be turned on/off
- DALI** Dimmable ballast in accordance with the DALI standard
-  Certified in accordance with the current Minergie certification standards
- MINERGIE PENDING** Not certified, but complies with the current Minergie requirements
- LED** LED lamps can be replaced at the factory.
- 0 Hz SAFETY** DC operation possible, product suitable for emergency power (see operating device label)
- EN 12464** Meets the requirements for office workspaces in accordance with the relevant standard

## LIGHTING TECHNOLOGY

- $\Phi$  Ng [lm] Total net luminous flux
- CCT Colour temperature (in Kelvin)
- CRI Colour rendering index  
 Example:  
 $\geq 80$  (82)  
 Measured value  
 Minimum value
- UGR glare rating (unified glare rating)  
 $X=4H, Y=8H, S=0.25H$   
 Reflectances 70/50/20  
 Reference value in accordance with EN12464-1
- FWHM Half-value angle

## LEGAL NOTICE

Alteme Licht AG  
 Gysulastrasse 21  
 CH-5000 Aarau

Issue: August 2018

