



WEGA





## **WEGA** FORM MEETS FUNCTION

Vega is one of the brightest stars in the sky, and so it makes sense that it gives its name to the WEGA spotlight series that was specially designed to provide high light output in the smallest sizes possible. Due to its small size and simple design, WEGA blends in discreetly with the architecture while offering a variety of solutions for effective lighting applications.



# FEATURES & BENEFITS

## SMALL SIZE – HIGH LIGHT OUTPUT

With a net luminous flux of up to 4259lm, WEGA offers high light output in a compact form. The understated design blends in nicely with the architecture while cutting an impressive figure with its balanced proportions.



360° rotation mechanism with protection against over-rotation

Busbar adapter with phase selection

Device box made from die-cast aluminium

185° pivotable luminaire head with cooling fins made from die-cast aluminium

Thermally conductive pad

Scattered light absorber

COB LED

LED holder with protective glass

Micro-faceted reflector made of anodised aluminium

Reflector retaining ring with cooling vents and click-in bracket for visual accessories

## HIGH-QUALITY COMPONENTS AND OPTIMAL TECHNOLOGIES

WEGA achieves the combination of reduced size and output using a thermally optimised design and high-quality components.





FWHM 17°

FWHM 22°

FWHM 29°

FWHM 45°

## ONE FORM – A VARIETY OF LIGHT EFFECTS

Only through illumination can spaces and objects be brought to life for the observer.

With three light colours (2700K, 3000K, 4000K), four beam angles (17°, 22°, 29°, 45°) and three output levels, WEGA offers a wide range of options for dramatic lighting moods.

With the DALI and POTI control options, the lighting effect can be flexibly adapted on site.

With WEGA, all reflectors can also be changed on the building site, boosting flexibility in operation even further.





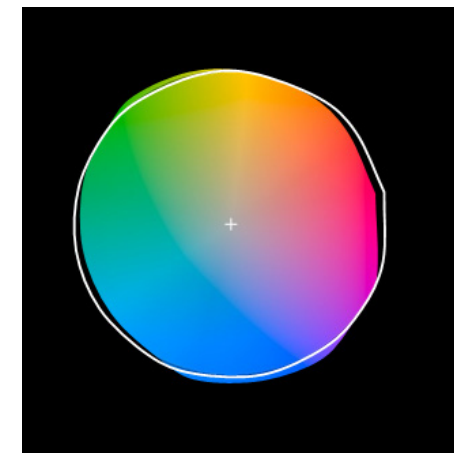
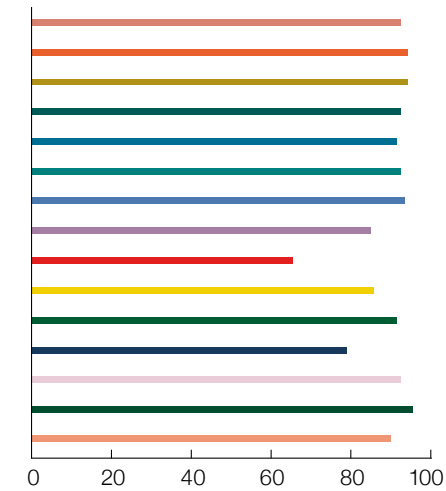


## HIGH LEVEL OF COLOUR CONSISTENCY AND COLOUR RENDERING

The colour rendering of the light is key when showing off products. All colours are truly reproduced by WEGA with the high colour rendering of  $CRI \geq 90$  and the balanced TM-30 value. WEGA achieves magnificent colour consistency with the narrow colour binning of the initial two-step MacAdam ellipse. This guarantees that white areas are rendered consistently with no noticeable differences in the light colour.

### 2700 K COLOUR RENDERING

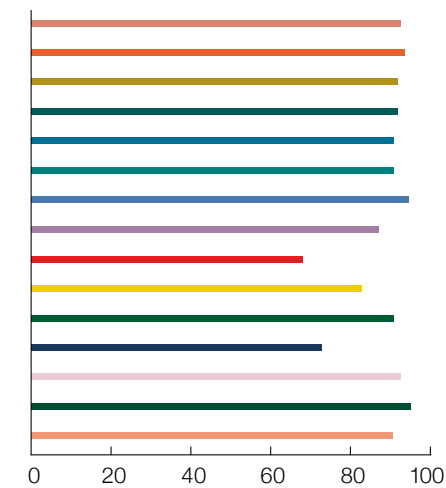
CRI	90
R1	93
R2	95
R3	95
R4	93
R5	92
R6	93
R7	94
R8	85
R9	65
R10	86
R11	92
R12	79
R13	93
R14	96
R15	90
Ra	92



TM-30 2700K CRI90

### 3000 K COLOUR RENDERING

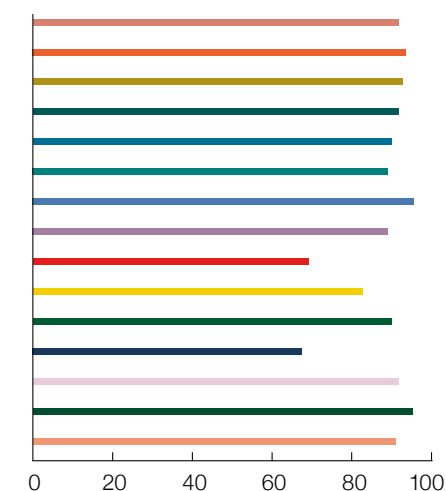
CRI	90
R1	93
R2	94
R3	92
R4	92
R5	91
R6	91
R7	95
R8	87
R9	67
R10	83
R11	91
R12	73
R13	93
R14	95
R15	91
Ra	92



TM-30 3000K CRI90

### 4000 K COLOUR RENDERING

CRI	90
R1	92
R2	94
R3	93
R4	92
R5	90
R6	89
R7	96
R8	89
R9	69
R10	83
R11	90
R12	67
R13	92
R14	95
R15	91
Ra	92

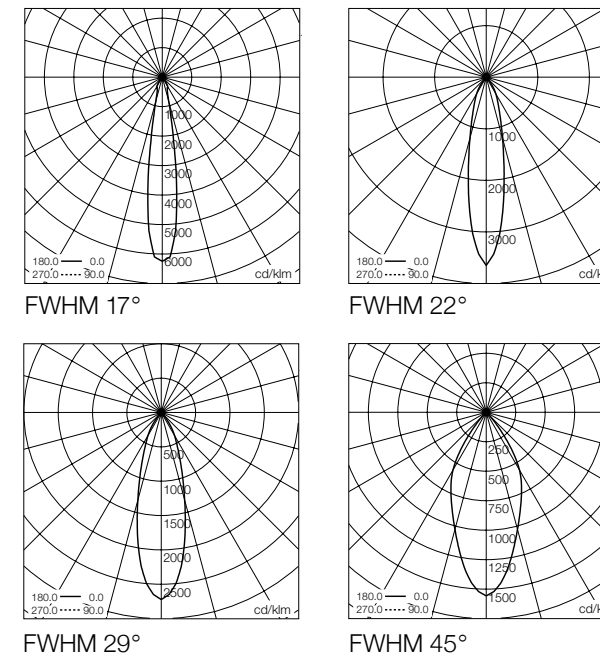
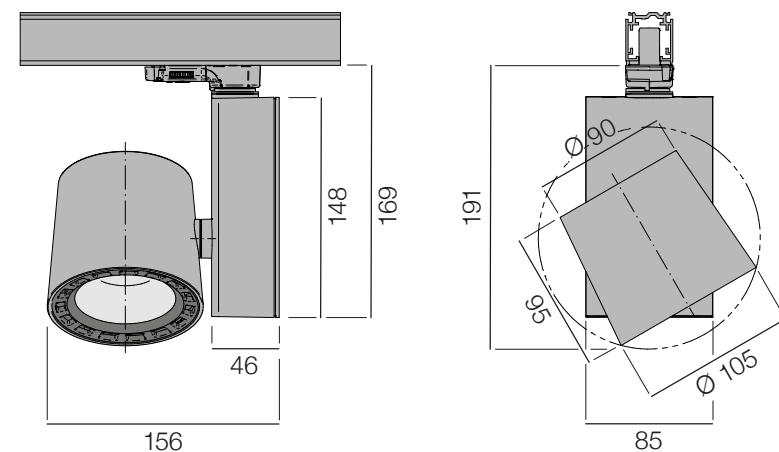


TM-30 4000K CRI90



# WEGA

Busbar spotlight with three-phase preselection adapter (Global Trac, unipro, Stucchi). Powder-coated white (RAL9016), black (RAL9005) or silver (RAL9006) surface. Die-cast aluminium luminaire head with integrated cooling fins for optimal thermal management, 185° pivotable, on 360° rotatable die-cast aluminium box with integrated operating device. COB LED with very good heat dissipation with a glass pane for touch protection. Replaceable micro-faceted reflector made from high-gloss anodised aluminium.



## DESIGN OPTIONS

### Colour X

1	White	RAL9016
2	White aluminium	RAL9006
3	Black	RAL9005

### Activation Y

1	On/Off
4	POTI
6	DALI

## ACCESSORIES

### Snoot black

Art. Nr.	T3900 00001.B
----------	---------------



## DESIGNS

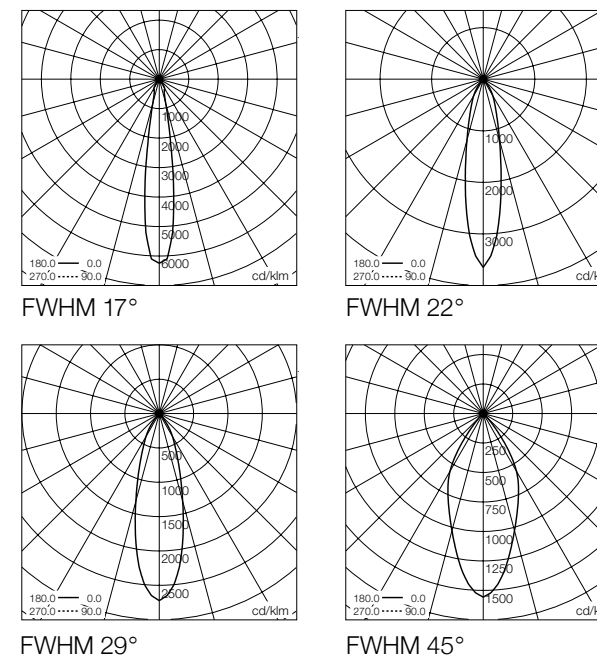
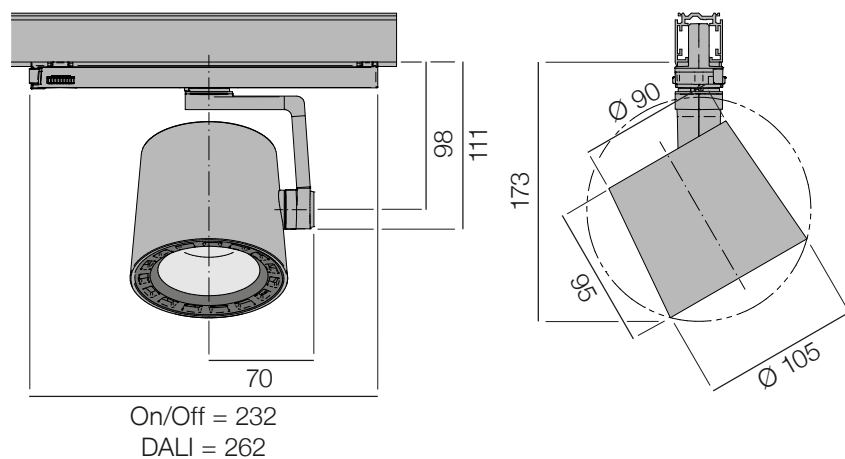
Art. Nr.	CCT	CRI	P	FWHM	Φ Ng
T31X1 2203Y.B	2700K	≥90	47 W	17°	3593 lm
T31X1 2204Y.B	2700K	≥90	47 W	22°	3610 lm
T31X1 2205Y.B	2700K	≥90	47 W	29°	3646 lm
T31X1 2206Y.B	2700K	≥90	47 W	45°	3521 lm
T31X2 2203Y.B	2700K	≥90	34 W	17°	2829 lm
T31X2 2204Y.B	2700K	≥90	34 W	22°	2842 lm
T31X2 2205Y.B	2700K	≥90	34 W	29°	2871 lm
T31X2 2206Y.B	2700K	≥90	34 W	45°	2772 lm
T31X3 2203Y.B	2700K	≥90	25 W	17°	2163 lm
T31X3 2204Y.B	2700K	≥90	25 W	22°	2173 lm
T31X3 2205Y.B	2700K	≥90	25 W	29°	2195 lm
T31X3 2206Y.B	2700K	≥90	25 W	45°	2120 lm
<hr/>					
T31X1 3203Y.B	3000K	≥90	47 W	17°	3900 lm
T31X1 3204Y.B	3000K	≥90	47 W	22°	3917 lm
T31X1 3205Y.B	3000K	≥90	47 W	29°	3957 lm
T31X1 3206Y.B	3000K	≥90	47 W	45°	3822 lm
T31X2 3203Y.B	3000K	≥90	34 W	17°	3071 lm
T31X2 3204Y.B	3000K	≥90	34 W	22°	3085 lm
T31X2 3205Y.B	3000K	≥90	34 W	29°	3116 lm
T31X2 3206Y.B	3000K	≥90	34 W	45°	3009 lm
T31X3 3203Y.B	3000K	≥90	25 W	17°	2348 lm
T31X3 3204Y.B	3000K	≥90	25 W	22°	2358 lm
T31X3 3205Y.B	3000K	≥90	25 W	29°	2382 lm
T31X3 3206Y.B	3000K	≥90	25 W	45°	2301 lm
<hr/>					
T31X1 5203Y.B	4000K	≥90	47 W	17°	4197 lm
T31X1 5204Y.B	4000K	≥90	47 W	22°	4216 lm
T31X1 5205Y.B	4000K	≥90	47 W	29°	4259 lm
T31X1 5206Y.B	4000K	≥90	47 W	45°	4113 lm
T31X2 5203Y.B	4000K	≥90	34 W	17°	3304 lm
T31X2 5204Y.B	4000K	≥90	34 W	22°	3319 lm
T31X2 5205Y.B	4000K	≥90	34 W	29°	3353 lm
T31X2 5206Y.B	4000K	≥90	34 W	45°	3238 lm
T31X3 5203Y.B	4000K	≥90	25 W	17°	2526 lm
T31X3 5204Y.B	4000K	≥90	25 W	22°	2538 lm
T31X3 5205Y.B	4000K	≥90	25 W	29°	2564 lm
T31X3 5206Y.B	4000K	≥90	25 W	45°	2476 lm





# WEGA IN-TRACK

Busbar spotlight with three-phase preselection adapter (Global Trac, unipro, Stucchi). Powder-coated white (RAL9016), black (RAL9005) or silver (RAL9006) surface. Die-cast aluminium luminaire head with integrated cooling fins for optimal thermal management, 185° pivotable, attached to one-sided L-bracket made from die-cast aluminium with 360° rotation. Operating device integrated into the busbar adapter. COB LED with improved heat dissipation with a glass pane for touch protection. Replaceable micro-faceted reflector made from high-gloss anodised aluminium.



## DESIGN OPTIONS

### Colour X

1	White	RAL9016
2	White aluminium	RAL9006
3	Black	RAL9005

### Activation Y

1	On/Off
6	DALI

## ACCESSORIES

### Snoot black

Art. Nr.	T3900 00001.B
----------	---------------



## DESIGNS

Art. Nr.	CCT	CRI	P	FWHM	Φ Ng
T32X1 2203Y.B	2700K	≥90	41 W	17°	3231 lm
T32X1 2204Y.B	2700K	≥90	41 W	22°	3245 lm
T32X1 2205Y.B	2700K	≥90	41 W	29°	3279 lm
T32X1 2206Y.B	2700K	≥90	41 W	45°	3166 lm
T32X2 2203Y.B	2700K	≥90	35 W	17°	2829 lm
T32X2 2204Y.B	2700K	≥90	35 W	22°	2842 lm
T32X2 2205Y.B	2700K	≥90	35 W	29°	2871 lm
T32X2 2206Y.B	2700K	≥90	35 W	45°	2772 lm
T32X3 2203Y.B	2700K	≥90	26 W	17°	2163 lm
T32X3 2204Y.B	2700K	≥90	26 W	22°	2173 lm
T32X3 2205Y.B	2700K	≥90	26 W	29°	2195 lm
T32X3 2206Y.B	2700K	≥90	26 W	45°	2120 lm
<hr/>					
T32X1 3203Y.B	3000K	≥90	41 W	17°	3506 lm
T32X1 3204Y.B	3000K	≥90	41 W	22°	3522 lm
T32X1 3205Y.B	3000K	≥90	41 W	29°	3558 lm
T32X1 3206Y.B	3000K	≥90	41 W	45°	3436 lm
T32X2 3203Y.B	3000K	≥90	35 W	17°	3071 lm
T32X2 3204Y.B	3000K	≥90	35 W	22°	3085 lm
T32X2 3205Y.B	3000K	≥90	35 W	29°	3116 lm
T32X2 3206Y.B	3000K	≥90	35 W	45°	3009 lm
T32X3 3203Y.B	3000K	≥90	26 W	17°	2348 lm
T32X3 3204Y.B	3000K	≥90	26 W	22°	2358 lm
T32X3 3205Y.B	3000K	≥90	26 W	29°	2382 lm
T32X3 3206Y.B	3000K	≥90	26 W	45°	2301 lm
<hr/>					
T32X1 5203Y.B	4000K	≥90	41 W	17°	3774 lm
T32X1 5204Y.B	4000K	≥90	41 W	22°	3791 lm
T32X1 5205Y.B	4000K	≥90	41 W	29°	3829 lm
T32X1 5206Y.B	4000K	≥90	41 W	45°	3698 lm
T32X2 5203Y.B	4000K	≥90	35 W	17°	3304 lm
T32X2 5204Y.B	4000K	≥90	35 W	22°	3319 lm
T32X2 5205Y.B	4000K	≥90	35 W	29°	3353 lm
T32X2 5206Y.B	4000K	≥90	35 W	45°	3238 lm
T32X3 5203Y.B	4000K	≥90	26 W	17°	2526 lm
T32X3 5204Y.B	4000K	≥90	26 W	22°	2538 lm
T32X3 5205Y.B	4000K	≥90	26 W	29°	2564 lm
T32X3 5206Y.B	4000K	≥90	26 W	45°	2476 lm

# GENERAL INFORMATION

## GENERAL INFORMATION

We reserve the right to make technical and design changes to our products owing to new technical developments. The images and descriptions reflect the products as they were when this luminaire brochure went to print. Errors are reserved. We would be happy to provide you with current documents upon request.

All dimensions are given in millimetres.

Where available, the photometric data can be found in the corresponding light distribution curves.

## SYMBOLS AND ACRONYMS



Products comply with European Union Directives

**IP20**

Protection against the ingress of solid foreign bodies measuring more than 12 mm in diameter



Only for use indoors



Luminaires in protective class I – with protective earth terminal

**ON/OFF**

Can be turned on/off

**DALI**

Dimmable ballast in accordance with the DALI standard

**POTI**

Dimmable via potentiometer on housing

**LED**

LED lamps can be replaced at the factory

**0 Hz**

**SAFETY**

DC operation possible, product suitable for emergency power (see operating device label)

## LIGHTING TECHNOLOGY

$\Phi$  Ng [lm]

Total net luminous flux

CCT

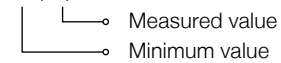
Colour temperature (in Kelvin)

CRI

Colour rendering index

Example:

$\geq 80$  (82)



UGR glare rating

(unified glare rating)

X = 4H, Y = 8H, S = 0.25H

Reflectances 70/50/20

Reference value in accordance with EN12464-1

FWHM

Half-value angle

## LEGAL NOTICE

Alteme Licht AG  
Gysulastrasse 21  
CH-5000 Aarau

In cooperation with  
Fotostudio AntikRomantik

Issue: August 2019



