

alteme⁺



CILINDRO

CILINDRO TOP-QUALITY VISIBLE OR INVISIBLE LIGHT

The Cilindro series of luminaires enables the light source to be perceived as visible or invisible light. Cilindro offers a wide range of possibilities for perceptive lighting planning thanks to its possible applications as surface-mounted wall and ceiling solutions and as pendant luminaires. All the Cilindro application solutions cut an impressive figure with top quality in terms of light, technology and the materials used.

INSPIRATION

WE ALWAYS CONSIDER HOW THE TWO RESOURCES (LIGHT AND MATERIAL) ARE PERCEIVED AS A WHOLE AND DEVELOP PRODUCTS THAT OFFER ADDED VALUE IN QUALITATIVE TERMS WITH REGARD TO LIGHTING DESIGN AND AESTHETICS.



Visible light conveys emotions such as joy and security.



The look-and-feel of metal alloys has stood for quality and durability since ancient times.



When visible light sources are deliberately eliminated, the architecture itself becomes the stage for the interplay of light and shadow.

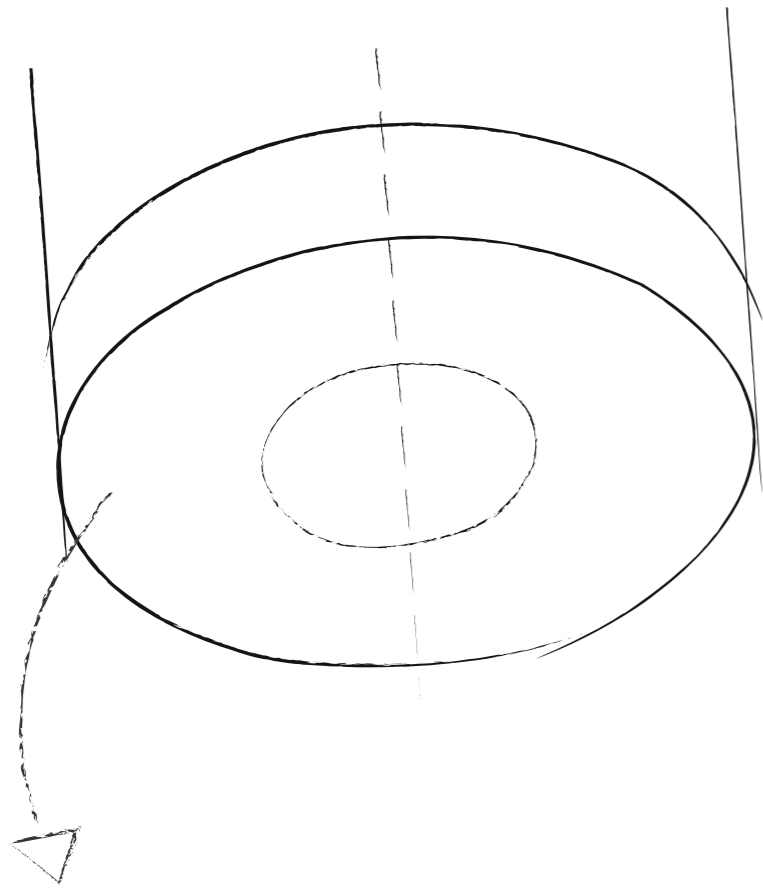


The sparkling brilliance of a diamond, coupled with metal's simple elegance, brings passion and quality together in timeless aesthetics.

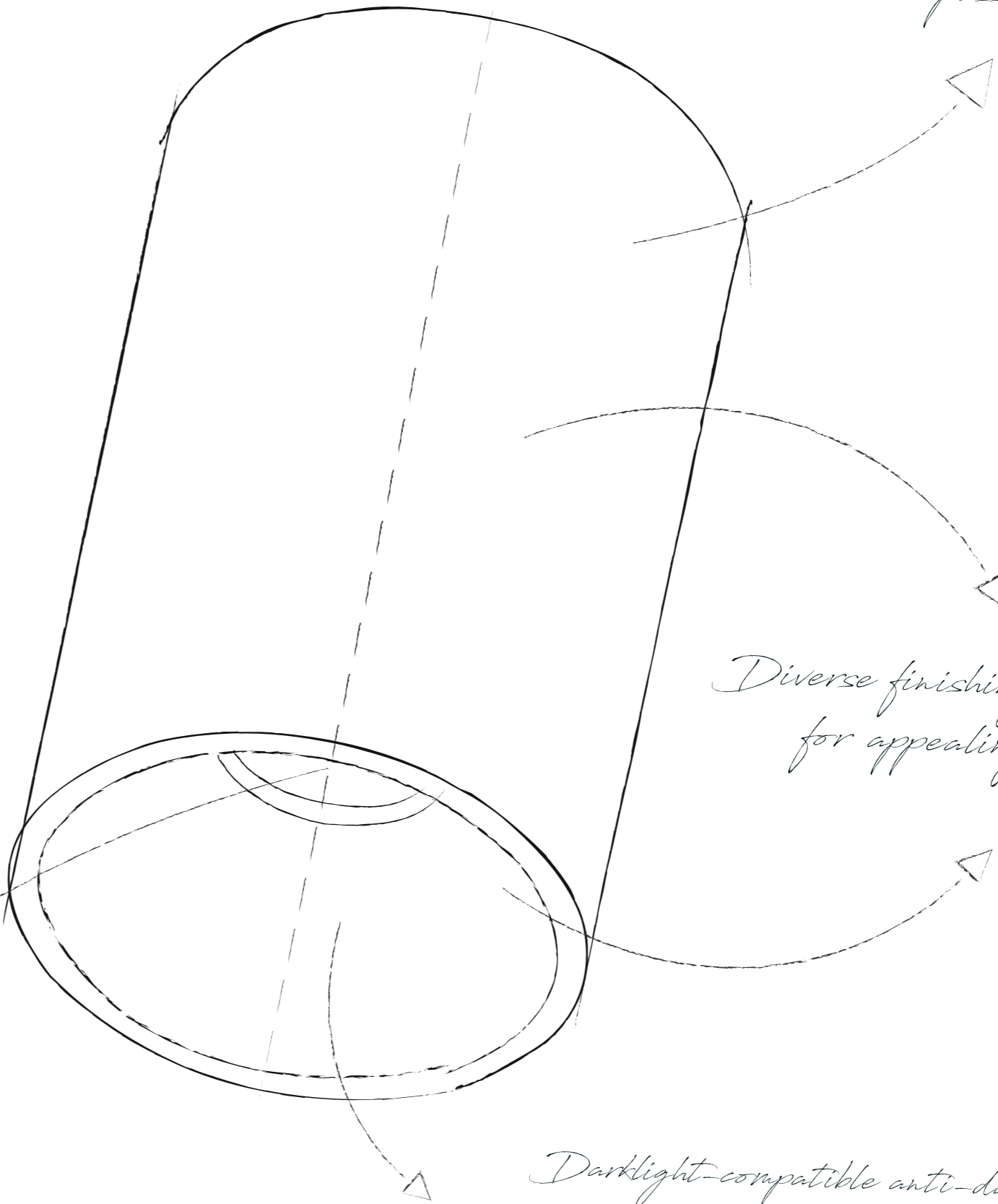
CONCEPT

GENERAL LIGHTING, FUNCTIONAL LIGHTING AND ACCENT LIGHTING.
OUR LIGHTING TOOLS ARE ALWAYS DESIGNED WITH THE NEEDS OF
PERCEPTIVE LIGHTING PLANNING IN MIND.

*Simple shapes for different
possible applications*



Acrylic glass finishes for visible light



*The best LED technology
for the best light quality*

*Darklight-compatible anti-dazzle cone
for invisible light and the best possible
glare suppression*

*Diverse finishing options
for appealing colour concepts*

PRESENTATION

THANKS TO ITS SUBTLE DESIGN COMBINED WITH DARKLIGHT AND VIEWLIGHT LIGHTING TECHNOLOGIES, CILINDRO BRINGS LIGHT AND SHAPE TOGETHER TO CREATE AN INTEGRATED LIGHTING SOLUTION.



APPLICATION

WITH OUR LIGHTING SOLUTIONS, WE ALWAYS OFFER ADDED VALUE FOR PEOPLE AND ARCHITECTURE ALIKE.



SHOWROOM ALTEME LICHT AG
Lighting concept: Alteme Licht AG
Photography: Adrienn Bartalos



FAMILY HOME STUTZ
Lighting concept: Alteme Licht AG
Photography: Beat Christen

FEATURES & BENEFITS

DARKLIGHT – THE LIGHT SOURCE WITH NO VISIBLE LIGHT

All CILINDRO luminaires with darklight technology are equipped with an anti-dazzle cone. This technology causes the light source to be set back in the luminaire housing, all the while increasing the shielding angle for observers. A highly reflective coating ensures that only low luminance levels are visible on the anti-dazzle cone. This principle means that the lighting tools primarily work as they should do, discreetly remaining in the background. The anti-dazzle cone has no influence on the light emitted by the LED, allowing project-specific colour variations to be created without affecting the LED's light colour.



VIEWLIGHT – THE VISIBLE LIGHT

The acrylic glass block finish gives the light from CILINDRO Viewlight a physical presence. A partial coating on the block's underside ensures that the acrylic glass is radiated without causing irritating glare. Depending on the perspective, observers repeatedly encounter different views and perceptions. If the block is viewed at a flat angle, it appears almost transparent; the light scattering at the edges is its only distinguishing feature. Viewed from a steeper angle, the grooves in the block become visible, creating an interesting interplay between light and shadow. As more light is emitted on the underside, the presentation of illuminated surfaces is enhanced.



MATERIALS – CLOTHES MAKE THE MAN,
MATERIALS AND FINISHES MAKE THE OBJECT

The standard versions in the colours white, black and white aluminium blend discreetly into modern architecture. The light effect is therefore left to take centre stage, as the saying goes. CILINDRO's high-quality appearance is also reflected in details such as the high-quality textile cable in the pendant versions.



Colour white RAL 9016



Colour Black RAL 9005

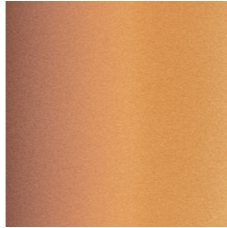


Colour white aluminium RAL 9006



SPECIAL FINISHES

The optional special finishes turn CILINDRO itself into an eye-catcher and thus offer inspiring possibilities for contemporary interior design. We are also happy to offer other colour variations on request.



Housing colour copper



Case colour gold



Housing colour old bronze



Cone colour copper



Cone colour gold



Cone colour champagne

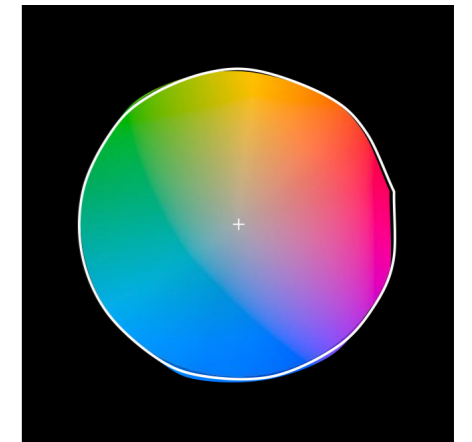
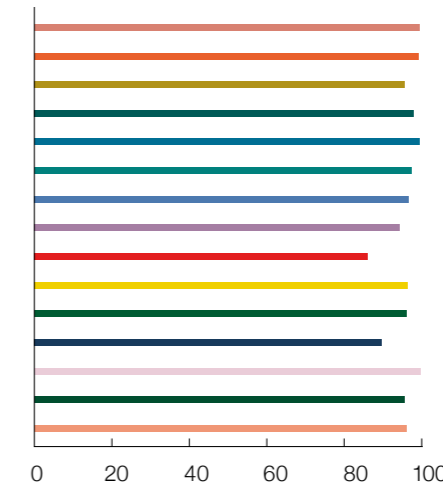
LIGHT QUALITY – LIGHT COMES FIRST

CILINDRO only uses the highest-quality LEDs. The narrow binning of initially 2-step MacAdam achieves first-class colour consistency, with no noticeable differences in colour. The high colour rendering of up to CRI \geq 95 and the balanced TM-30 spectrum at all colour temperatures gives all the colours a natural and rich appearance. CILINDRO also naturally renders the red tones that are difficult to produce with traditional LEDs (R9 \geq 85 at 3000 K, R9 \geq 75 at 4000 K).



2700 K COLOUR RENDERING

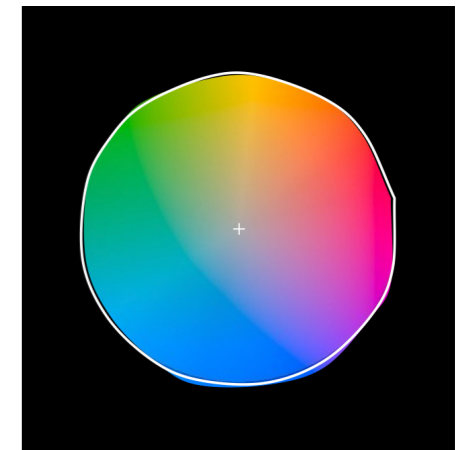
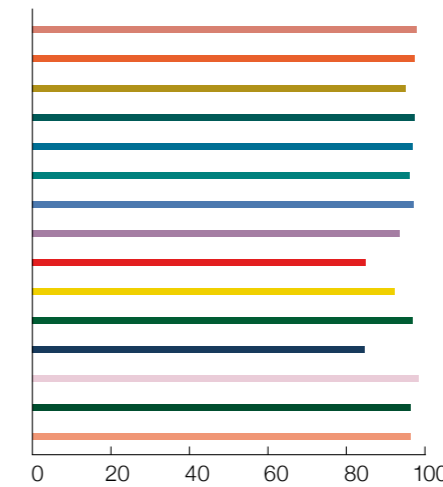
CRI	95
R1	100
R2	99
R3	96
R4	98
R5	100
R6	98
R7	97
R8	94
R9	87
R10	97
R11	96
R12	90
R13	100
R14	97
R15	98
Ra	98



TM-30 2700K CRI95

3000 K COLOUR RENDERING

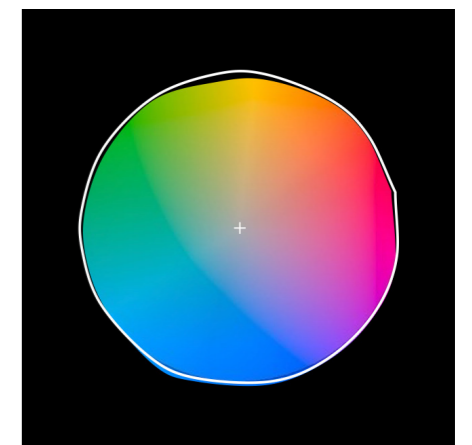
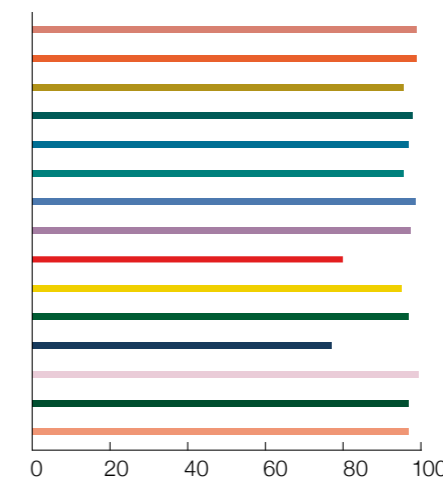
CRI	95
R1	98
R2	98
R3	95
R4	98
R5	97
R6	97
R7	98
R8	94
R9	85
R10	93
R11	97
R12	85
R13	98
R14	96
R15	97
Ra	97



TM-30 3000K CRI95

4000 K COLOUR RENDERING

CRI	95
R1	99
R2	99
R3	96
R4	98
R5	97
R6	96
R7	99
R8	98
R9	80
R10	95
R11	98
R12	77
R13	99
R14	97
R15	97
Ra	98



TM-30 4000K CRI95

COZI – SHIFTING THE COLOUR TEMPERATURE ACROSS THE DIMMING RANGE TO CREATE A COSY ATMOSPHERE

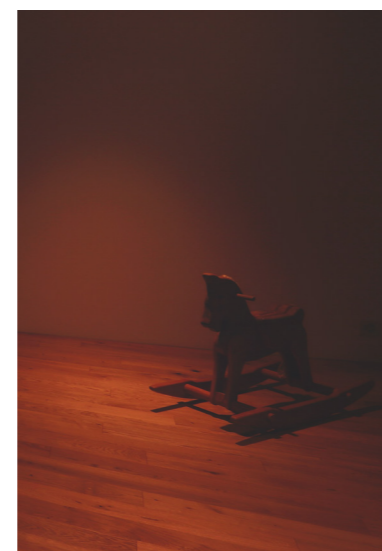
Having the right coloured lighting is essential for a cosy atmosphere in any room. CILINDRO COZI follows the example of a thermal radiator, shifting the colour temperature across the entire dimming range, from 2700K at full light output to 1800K at 1% of the maximum luminous flux – a cooler light colour at a high luminous intensity, and a cosy and warm light colour at a low luminous intensity.



100% luminous flux

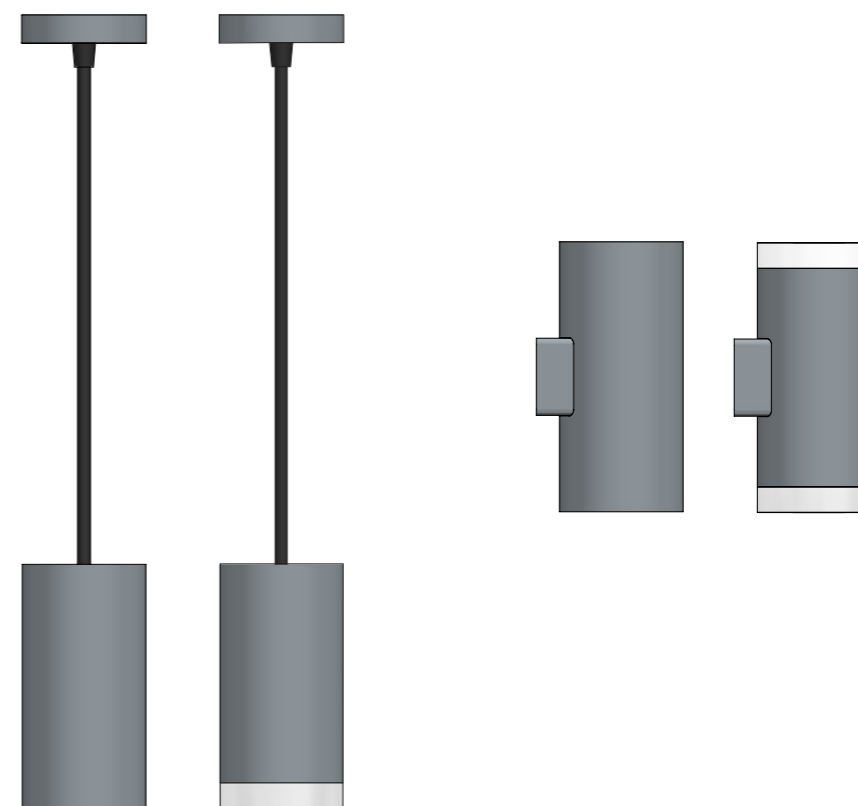
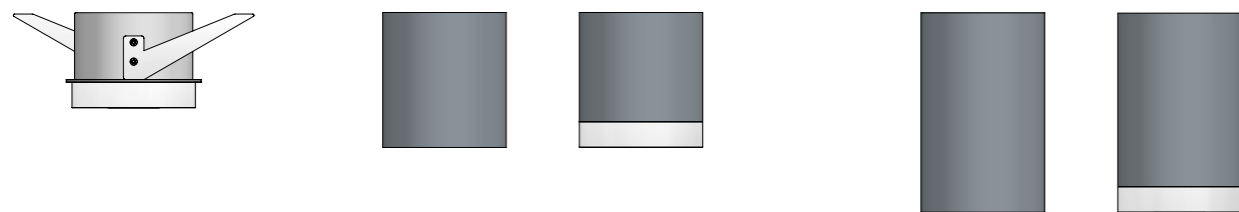


50% luminous flux



5% luminous flux





MODEL OVERVIEW

Types of luminaires	Versions	Desing options	Page
Mounted luminaire ETA	Darklight	White (RAL9016)/Black (RAL9005)/White aluminium (RAL 9006)	24–25
Mounted luminaire ETA	Viewlight	White (RAL9016)/Black (RAL9005)/White aluminium (RAL 9006)	24–25
Mounted luminaire FORTIS	Darklight	White (RAL9016)/Black (RAL9005)/White aluminium (RAL 9006)	26–27
Mounted luminaire FORTIS	Viewlight	White (RAL9016)/Black (RAL9005)/White aluminium (RAL 9006)	26–27
Mounted luminaire COZI	Darklight	White (RAL9016)/Black (RAL9005)/White aluminium (RAL 9006)	28–29
Mounted luminaire COZI	Viewlight	White (RAL9016)/Black (RAL9005)/White aluminium (RAL 9006)	28–29
Pendant luminaire	Darklight	White (RAL9016)/Black (RAL9005)/White aluminium (RAL 9006)	30–31
Pendant luminaire	Viewlight	White (RAL9016)/Black (RAL9005)/White aluminium (RAL 9006)	30–31
Pendant luminaire COZI	Darklight	White (RAL9016)/Black (RAL9005)/White aluminium (RAL 9006)	32–33
Pendant luminaire COZI	Viewlight	White (RAL9016)/Black (RAL9005)/White aluminium (RAL 9006)	32–33
Wall luminaire	Darklight	White (RAL9016)/Black (RAL9005)/White aluminium (RAL 9006)	34–35
Wall luminaire	Viewlight	White (RAL9016)/Black (RAL9005)/White aluminium (RAL 9006)	34–35
Recessed luminaire	Viewlight	White (RAL9016)/Black (RAL9005)/White aluminium (RAL 9006)	36–37
Recessed luminaire COZI	Viewlight	White (RAL9016)/Black (RAL9005)/White aluminium (RAL 9006)	36–37

Colour temperature	CRI	Half-value angle	Activation
2700K/3000K/4000K	CRI≥95	16°/26°/41°/55°	DALI
2700K/3000K/4000K	CRI≥95	–	DALI
2700K/3000K/4000K	CRI≥95	16°/26°/41°/55°	DALI
2700K/3000K/4000K	CRI≥95	–	DALI
1800K – 2700K	CRI≥95	40°/47°/60°	DALI
1800K – 2700K	CRI≥95	–	DALI
2700K/3000K/4000K	CRI≥95	16°/26°/41°/55°	DALI
2700K/3000K/4000K	CRI≥95	–	DALI
1800K – 2700K	CRI≥95	40°/47°/60°	DALI
1800K – 2700K	CRI≥95	–	DALI
2700K/3000K/4000K	CRI≥95	26° 26°/26° 55°/55° 55° / 16° 55°	DALI
2700K/3000K/4000K	CRI≥95	–	DALI
2700K/3000K/4000K	CRI≥95	–	DALI
1800K – 2700K	CRI≥95	–	DALI



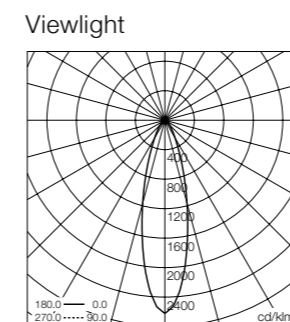
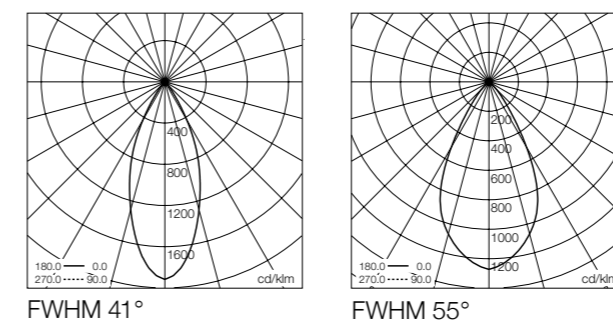
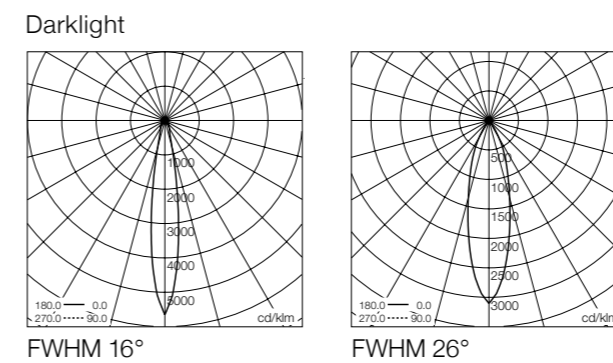
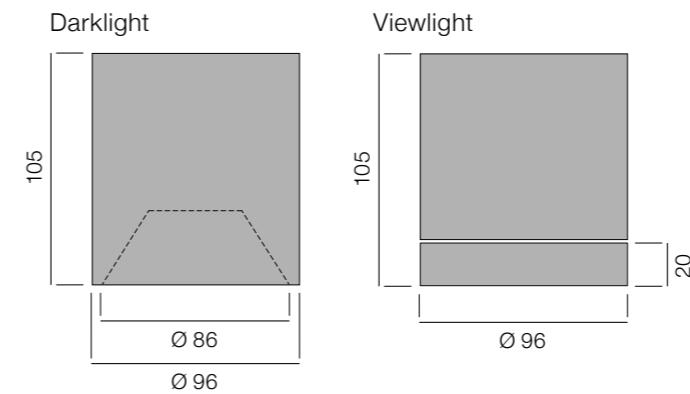
CILINDRO

MOUNTAINED LUMINAIRE ETA

Cylindrical aluminium luminaire body, CNC-machined and painted, for surface-mounted ceiling installation. LED (COB) light engine with touch protection. High level of colour consistency (2 SDCM initially) and high colour rendering (CRI \geq 95). Mounting plate with DALI operating device. Secondary cable with plug-in connector between the operating device and the light engine.

Optic (Version Darklight) Primary reflector and homogenising lens. Plastic darklight reflector, with a high-gloss aluminium-plated finish, scratch-resistant protective coating and 30° shielding angle.

Optic (Version Viewlight) Primary reflector and homogenising lens. Acrylic glass block polished to a high gloss and partly satin-finished.



DARKLIGHT

DESIGNS

Art. Nr.	CCT	CRI	FWHM	P	Φ Nd
S31X1 23106.B	2700K	≥95	16°	10W	273lm
S31X1 23206.B	2700K	≥95	26°	10W	693lm
S31X1 23406.B	2700K	≥95	41°	10W	644lm
S31X1 23606.B	2700K	≥95	55°	10W	673lm
S31X1 33106.B	3000K	≥95	16°	10W	288lm
S31X1 33206.B	3000K	≥95	26°	10W	730lm
S31X1 33406.B	3000K	≥95	41°	10W	678lm
S31X1 33606.B	3000K	≥95	55°	10W	709lm
S31X1 43106.B	4000K	≥95	16°	10W	306lm
S31X1 43206.B	4000K	≥95	26°	10W	777lm
S31X1 43406.B	4000K	≥95	41°	10W	722lm
S31X1 43606.B	4000K	≥95	55°	10W	754lm

VIEWLIGHT

DESIGNS

Art. Nr.	CCT	CRI	P	Φ Nd
S32X1 23006.B	2700K	≥95	10W	746lm
S32X1 33006.B	3000K	≥95	10W	785lm
S32X1 43006.B	4000K	≥95	10W	836lm

DESIGN OPTIONS

Materials X	
White RAL9016	S**1* *****.B
Black RAL9005	S**2* *****.B
White aluminium RAL9006	S**3* *****.B



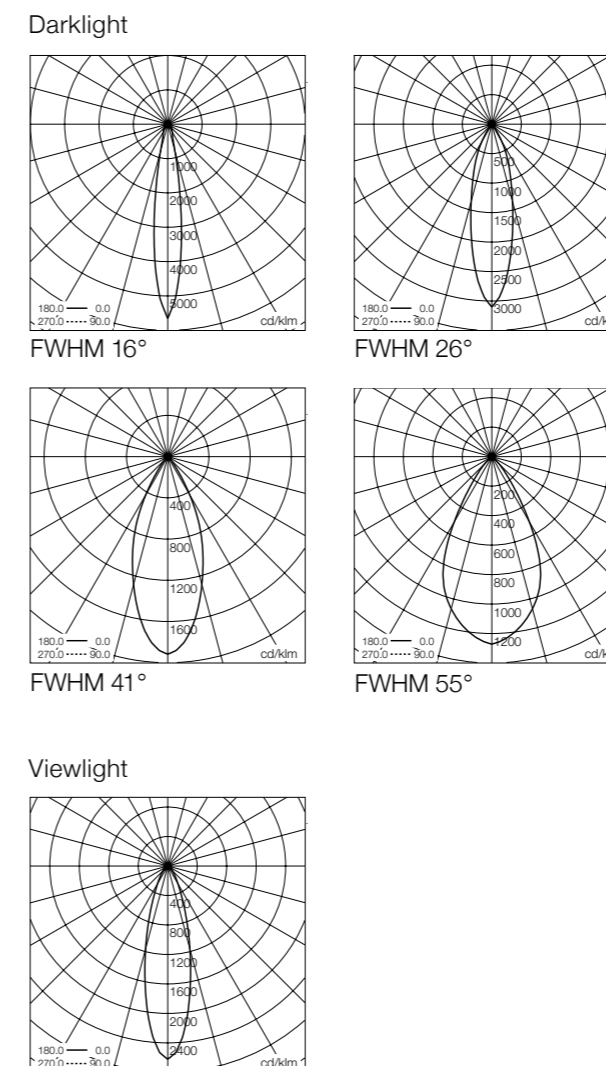
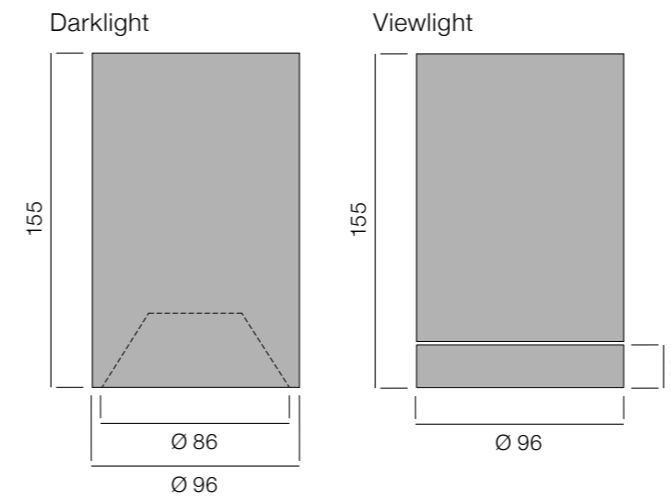
CILINDRO

MOUNTAINED LUMINAIRE FORTIS

Cylindrical aluminium luminaire body, CNC-machined and painted, for surface-mounted ceiling installation. LED (COB) light engine with touch protection. High level of colour consistency (2 SDCM initially) and high colour rendering (CRI \geq 95). Mounting plate with DALI operating device. Secondary cable with plug-in connector between the operating device and the light engine.

Optic (Version Darklight) Primary reflector and homogenising lens. Plastic darklight reflector, with a high-gloss aluminium-plated finish, scratch-resistant protective coating and 30° shielding angle.

Optic (Version Viewlight) Primary reflector and homogenising lens. Acrylic glass block polished to a high gloss and partly satin-finished.



DARKLIGHT

DESIGNS

Art. Nr.	CCT	CRI	FWHM	P	Φ Nd
S31X2 23106.B	2700K	≥95	16°	17.6W	495lm
S31X2 23206.B	2700K	≥95	26°	17.6W	1186lm
S31X2 23406.B	2700K	≥95	41°	17.6W	1103lm
S31X2 23606.B	2700K	≥95	55°	17.6W	1152lm
S31X2 33106.B	3000K	≥95	16°	17.6W	521lm
S31X2 33206.B	3000K	≥95	26°	17.6W	1249lm
S31X2 33406.B	3000K	≥95	41°	17.6W	1161lm
S31X2 33606.B	3000K	≥95	55°	17.6W	1213lm
S31X2 43106.B	4000K	≥95	16°	17.6W	555lm
S31X2 43206.B	4000K	≥95	26°	17.6W	1329lm
S31X2 43406.B	4000K	≥95	41°	17.6W	1235lm
S31X2 43606.B	4000K	≥95	55°	17.6W	1290lm

VIEWLIGHT

DESIGNS

Art. Nr.	CCT	CRI	P	Φ Nd
S32X2 23006.B	2700K	≥95	17.6W	1277lm
S32X2 33006.B	3000K	≥95	17.6W	1344lm
S32X2 43006.B	4000K	≥95	17.6W	1430lm

DESIGN OPTIONS

Materials X	
White RAL9016	S**1* *****B
Black RAL9005	S**2* *****B
White aluminium RAL9006	S**3* *****B



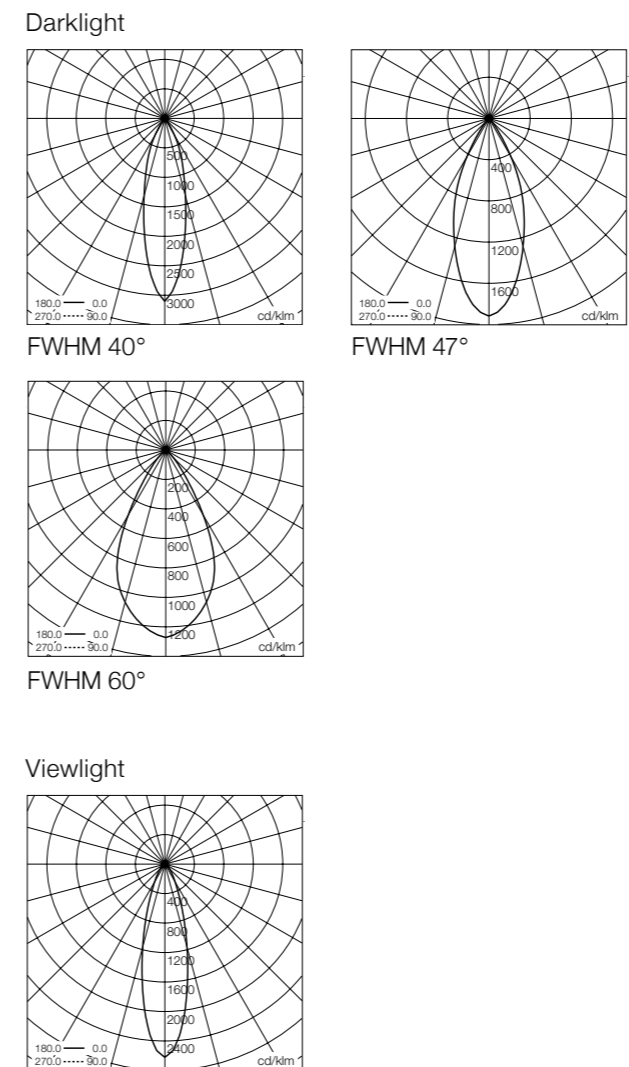
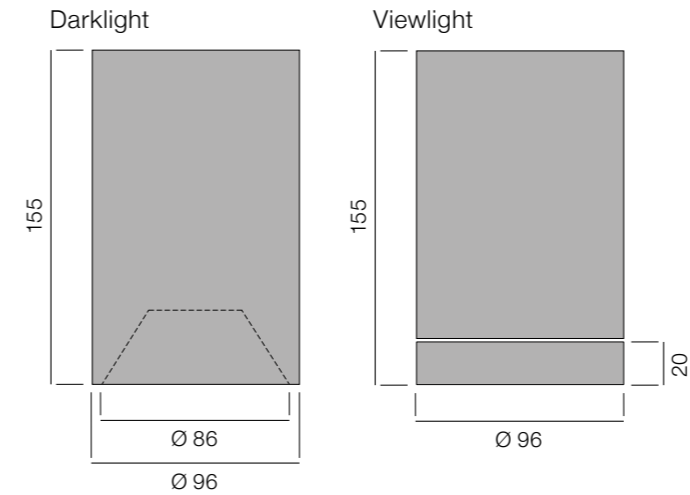
CILINDRO

MOUNTAINED LUMINAIRE COZI

Cylindrical aluminium luminaire body, CNC-machined and painted, for surface-mounted ceiling installation. Light engine with warm dim LED (COB) for colour temperature shift when dimming from 2700K at 100% to 1800K at 1% incl. touch protection. High level of colour consistency (3 SDCM initially) and high colour rendering (CRI≥95) across the entire dimming range. Mounting plate with DALI operating device. Secondary cable with plug-in connector between the operating device and the light engine.

Optic (Version Darklight) Primary reflector and homogenising lens. Plastic darklight reflector, with a high-gloss aluminium-plated finish, scratch-resistant protective coating and 30° shielding angle.

Optic (Version Viewlight) Primary reflector and homogenising lens. Acrylic glass block polished to a high gloss and partly satin-finished.



DARKLIGHT

DESIGNS

Art. Nr.	CCT	CRI	FWHM	P	Φ Nd
S31X2 93206.B	2700K – 1800K	≥95	40°	19W	922lm
S31X2 93406.B	2700K – 1800K	≥95	47°	19W	954lm
S31X2 93606.B	2700K – 1800K	≥95	60°	19W	989lm

VIEWLIGHT

DESIGNS

Art. Nr.	CCT	CRI	P	Φ Nd
S32X2 93006.B	2700K – 1800K	≥95	19W	991lm

DESIGN OPTIONS

Materials X	
White RAL9016	S**1* *****.B
Black RAL9005	S**2* *****.B
White aluminium RAL9006	S**3* *****.B



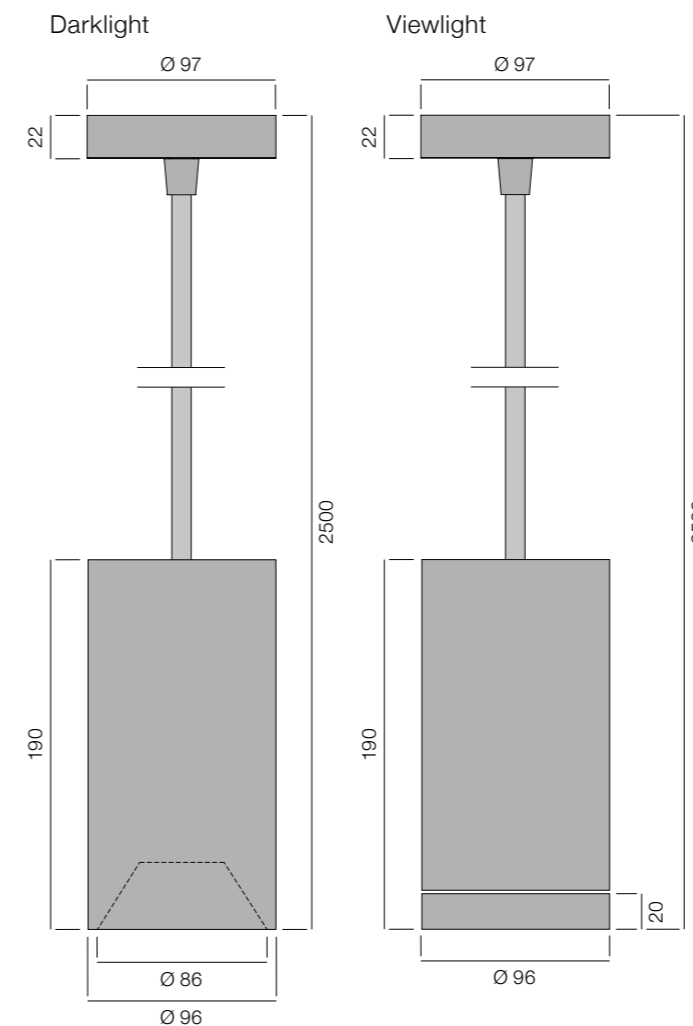
CILINDRO

PENDANT LUMINAIRE

Cylindrical aluminium luminaire body, CNC-machined and painted, with light emission on one side, for pendant installation with integrated DALI operating device and pre-installed textile cable, 5-pin, L=2500 mm. LED (COB) light engine with touch protection. High level of colour consistency (2 SDCM initially) and high colour rendering (CRI≥95). Aluminium canopy, CNC-machined and painted with strain relief and mounting plate incl. 5-pin connection terminal.

Optic (Version Darklight) Primary reflector and homogenising lens. Plastic darklight reflector, with a high-gloss aluminium-plated finish, scratch-resistant protective coating and 30° shielding angle.

Optic (Version Viewlight) Primary reflector and homogenising lens. Acrylic glass block polished to a high gloss and partly satin-finished.



DARKLIGHT

DESIGNS

Art. Nr.	CCT	CRI	FWHM	P	Φ Nd
S31X3 23106.B	2700K	≥95	16°	17.6W	495lm
S31X3 23206.B	2700K	≥95	26°	17.6W	1186lm
S31X3 23406.B	2700K	≥95	41°	17.6W	1103lm
S31X3 23606.B	2700K	≥95	55°	17.6W	1152lm
S31X3 33106.B	3000K	≥95	16°	17.6W	521lm
S31X3 33206.B	3000K	≥95	26°	17.6W	1249lm
S31X3 33406.B	3000K	≥95	41°	17.6W	1161lm
S31X3 33606.B	3000K	≥95	55°	17.6W	1213lm
S31X3 43106.B	4000K	≥95	16°	17.6W	555lm
S31X3 43206.B	4000K	≥95	26°	17.6W	1329lm
S31X3 43406.B	4000K	≥95	41°	17.6W	1235lm
S31X3 43606.B	4000K	≥95	55°	17.6W	1290lm

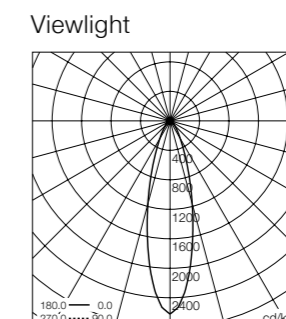
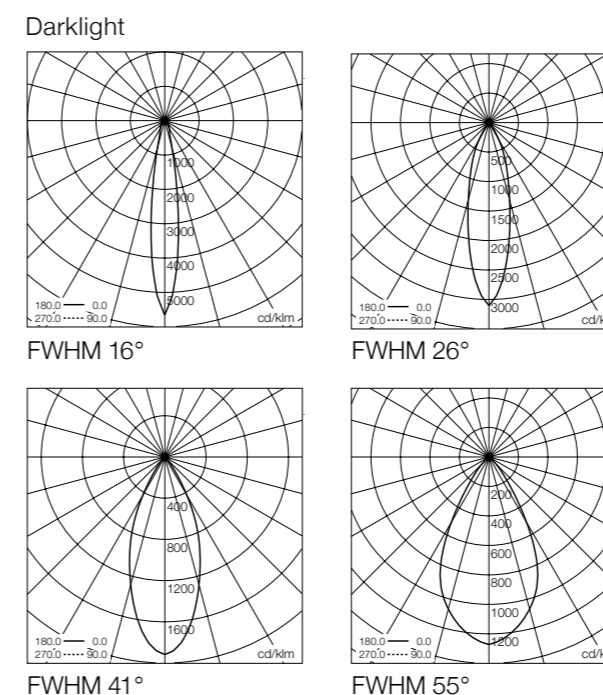
VIEWLIGHT

DESIGNS

Art. Nr.	CCT	CRI	P	Φ Nd
S32X3 23006.B	2700K	≥95	17.6W	1277lm
S32X3 33006.B	3000K	≥95	17.6W	1344lm
S32X3 43006.B	4000K	≥95	17.6W	1430lm

DESIGN OPTIONS

Materials X	
White RAL9016	S**1* *****.B
Black RAL9005	S**2* *****.B
White aluminium RAL9006	S**3* *****.B





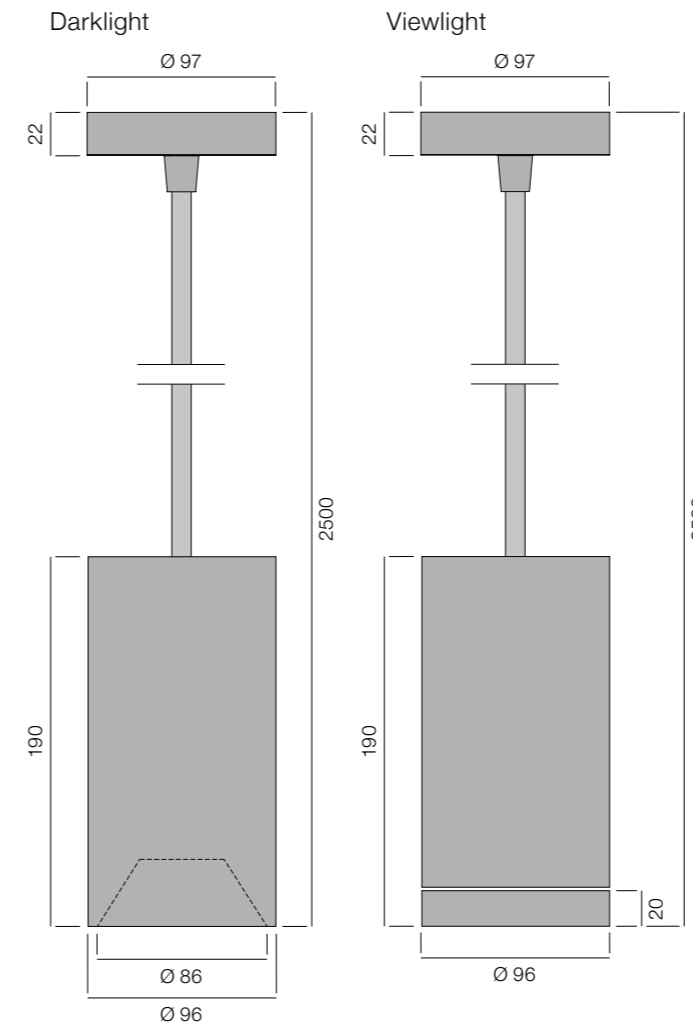
CILINDRO

PENDANT LUMINAIRE COZI

Cylindrical aluminium luminaire body, CNC-machined and painted, with light emission on one side, for pendant installation with integrated DALI operating device and pre-installed textile cable, 5-pin, L=2500 mm. Light engine with warm dim LED (COB) for colour temperature shift when dimming from 2700 K at 100% to 1800 K at 1% incl. touch protection. High level of colour consistency (3 SDCM initially) and high colour rendering (CRI≥95) across the entire dimming range. Aluminium canopy, CNC-machined and painted with strain relief and mounting plate incl. 5-pin connection terminal.

Optic (Version Darklight) Primary reflector and homogenising lens. Plastic darklight reflector, with a high-gloss aluminium-plated finish, scratch-resistant protective coating and 30° shielding angle.

Optic (Version Viewlight) Primary reflector and homogenising lens. Acrylic glass block polished to a high gloss and partly satin-finished.



DARKLIGHT

DESIGNS

Art. Nr.	CCT	CRI	FWHM	P	Φ Nd
S31X3 93206.B	2700 K – 1800 K	≥ 95	40°	19 W	922 lm
S31X3 93406.B	2700 K – 1800 K	≥ 95	47°	19 W	954 lm
S31X3 93606.B	2700 K – 1800 K	≥ 95	60°	19 W	989 lm

VIEWLIGHT

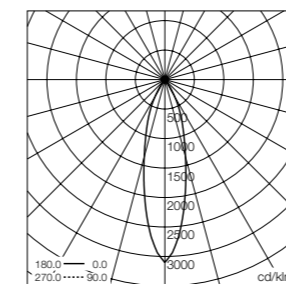
DESIGNS

Art. Nr.	CCT	CRI	P	Φ Nd
S32X3 93006.B	2700 K – 1800 K	≥ 95	19 W	991 lm

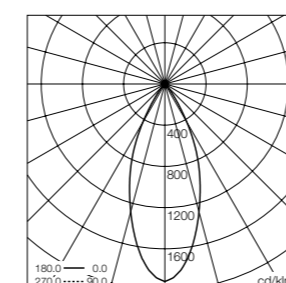
DESIGN OPTIONS

Materials X	
White RAL9016	S**1** *****.B
Black RAL9005	S**2** *****.B
White aluminium RAL9006	S**3** *****.B

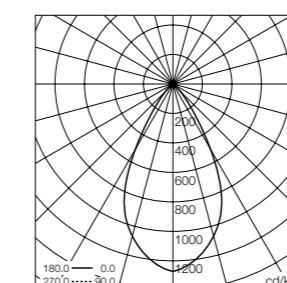
Darklight



FWHM 40°

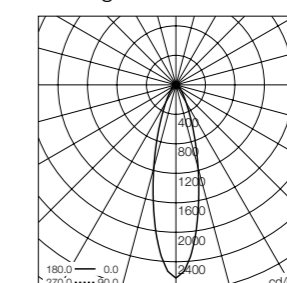


FWHM 47°



FWHM 60°

Viewlight





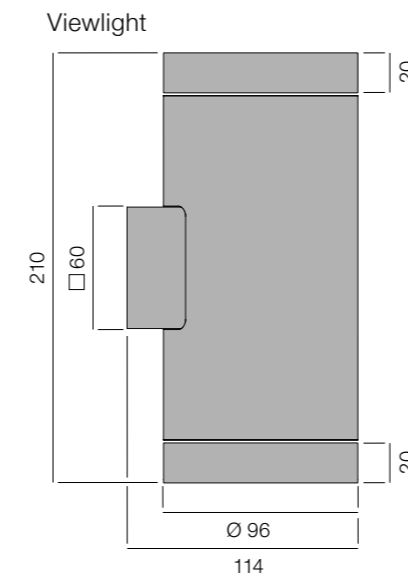
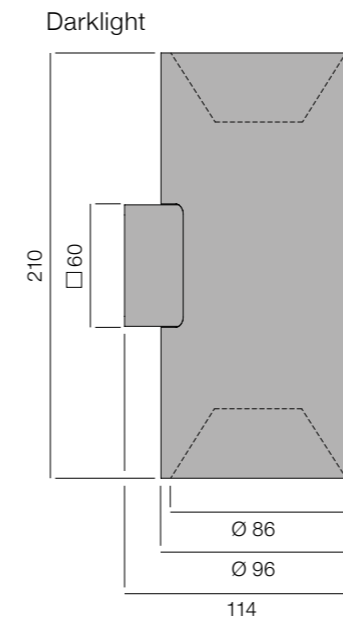
CILINDRO

WALL LUMINAIRE

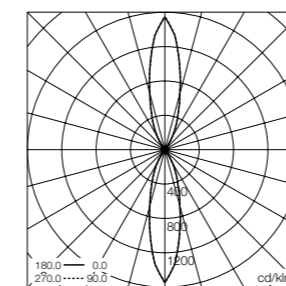
Cylindrical aluminium luminaire body, CNC-machined and painted, with light emission on two sides, for surface-mounted wall installation with integrated DALI operating device. LED (COB) light engine with touch protection. High level of colour consistency (2 SDCM initially) and high colour rendering (CRI≥95).

Optic (Version Darklight) Primary reflector and homogenising lens. Plastic darklight reflector, with a high-gloss aluminium-plated finish, scratch-resistant protective coating and 30° shielding angle.

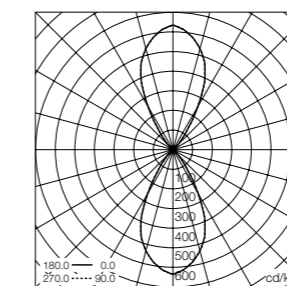
Optic (Version Viewlight) Primary reflector and homogenising lens. Acrylic glass block polished to a high gloss and partly satin-finished.



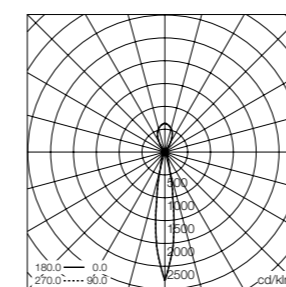
Darklight



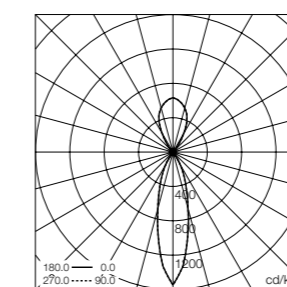
FWHM 26°/26°



FWHM 55°/55°



FWHM 16°/55°



FWHM 26°/55°

DARKLIGHT

DESIGNS

Art. Nr.	CCT	CRI	FWHM d/i	P	Φ Nd	Φ Ni
S31X4 23226.B	2700K	≥95	26°/26°	17.6W	627lm	627lm
S31X4 23666.B	2700K	≥95	55°/55°	17.6W	609lm	609lm
S31X4 23166.B	2700K	≥95	16°/55°	17.6W	262lm	609lm
S31X4 23266.B	2700K	≥95	26°/55°	17.6W	627lm	609lm
S31X4 33226.B	3000K	≥95	26°/26°	17.6W	661lm	661lm
S31X4 33666.B	3000K	≥95	55°/55°	17.6W	642lm	642lm
S31X4 33166.B	3000K	≥95	16°/55°	17.6W	276lm	642lm
S31X4 33266.B	3000K	≥95	26°/55°	17.6W	661lm	642lm
S31X4 43226.B	4000K	≥95	26°/26°	17.6W	703lm	703lm
S31X4 43666.B	4000K	≥95	55°/55°	17.6W	682lm	682lm
S31X4 43166.B	4000K	≥95	16°/55°	17.6W	294lm	682lm
S31X4 43266.B	4000K	≥95	26°/55°	17.6W	703lm	682lm

VIEWLIGHT

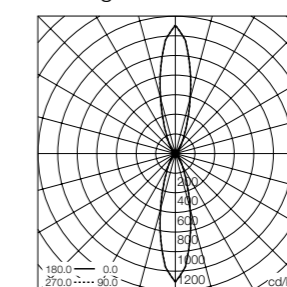
DESIGNS

Art. Nr.	CCT	CRI	P	Φ Nd	Φ Ni
S32X4 23006.B	2700K	≥95	17.6W	676lm	676lm
S32X4 33006.B	3000K	≥95	17.6W	711lm	711lm
S32X4 43006.B	4000K	≥95	17.6W	756lm	756lm

DESIGN OPTIONS

Materials X	
White RAL9016	S**1** *****.B
Black RAL9005	S**2** *****.B
White aluminium RAL9006	S**3** *****.B

Viewlight





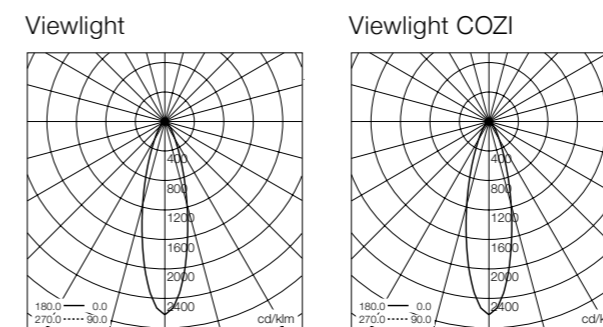
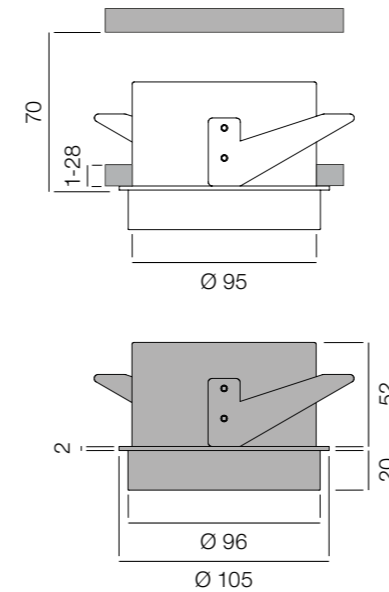
CILINDRO

RECESSED LUMINAIRE-VIEWLIGHT

Cylindrical aluminium luminaire body, CNC-machined, painted in RAL 9016 white, with flat springs and protruding edge, for recessed ceiling installation in ceiling thicknesses of 1 – 48 mm. LED (COB) light engine with touch protection. High level of colour consistency (2 SDCM initially) and high colour rendering (CRI ≥ 95). Case with primary reflector and homogenising lens. Acrylic glass block polished to a high gloss and partly satin-finished. External DALI operating device. Secondary cable with adapter pre-installed on the operating device and the light engine.

RECESSED LUMINAIRE-VIEWLIGHT COZI

Light engine with warm dim LED (COB) for colour temperature shift when dimming from 2700K at 100% to 1800K at 1% incl. touch protection. High level of colour consistency (3 SDCM initially) and high colour rendering (CRI ≥ 95) across the entire dimming range.



VIEWLIGHT

DESIGNS

Art. Nr.	CCT	CRI	P	Φ Nd
S32X5 23006.B	2700K	≥95	17.6W	1277 lm
S32X5 33006.B	3000K	≥95	17.6W	1344 lm
S32X5 43006.B	4000K	≥95	17.6W	1430 lm

VIEWLIGHT COZI

DESIGNS

Art. Nr.	CCT	CRI	P	Φ Nd
S32X5 93006.B	2700K – 1800K	≥95	19W	991 lm

DESIGN OPTIONS

Materials X	
White RAL9016	S**1** *****.B
Black RAL9005	S**2** *****.B
White aluminium RAL9006	S**3** *****.B



GENERAL INFORMATION

GENERAL INFORMATION

We reserve the right to make technical and design changes to our products owing to new technical developments. The images and descriptions reflect the products as they were when this luminaire brochure went to print. Errors are reserved. We would be happy to provide you with current documents upon request.

All dimensions are given in millimetres.

Where available, the photometric data can be found in the corresponding light distribution curves.

SYMBOLS AND ACRONYMS



Products comply with European Union Directives.

IP20

Protection against the ingress of solid foreign bodies measuring more than 12 mm in diameter



Only for use indoors



Luminaires in protective class I – with protective earth terminal



Warmdim-LED with colour temperature shift when dimming from 2700 K at 100% to 1800 K at 1%

ON/OFF

Can be turned on/off

DALI

Dimmable ballast in accordance with the DALI standard

LED

LED lamps can be replaced at the factory.

EN 12464

Meets the requirements for office workspaces in accordance with the relevant standard

LIGHTING TECHNOLOGY

Φ Ng [lm]

Total net luminous flux

CCT

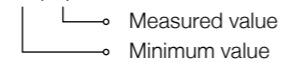
Colour temperature (in Kelvin)

CRI

Colour rendering index

Example:

≥ 80 (82)



UGR glare rating

(unified glare rating)

X = 4H, Y = 8H, S = 0.25H

Reflectances 70/50/20

Reference value in accordance with EN12464-1

FWHM

Half-value angle

LEGAL NOTICE

Alteme Licht AG
Gysulastrasse 21
CH-5000 Aarau

In cooperation with
Fotostudio AntikRomantik

Issue: August 2019

